

MODULIT 500UP

**Modular panel
system in
polycarbonate**

NEW!



POLITEC
POLIMERI TECNICI

MODULIT 500 is a polycarbonate modular panel system with a co-extruded UV protection. Modulit system is mainly used for vertical or sloped glazing.

The high thickness of 40 mm and the internal structure with diagonal ribs combine excellent mechanical properties and thermal insulation which allows important energy and structure saving.

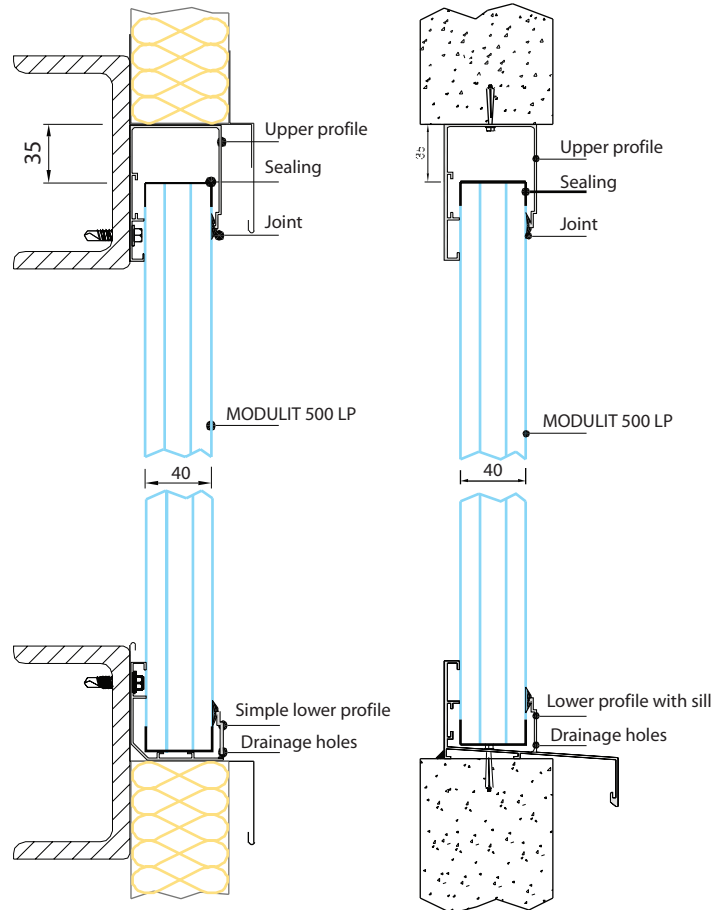
MODULIT 500 LP system is suitable for any transparent glazing application such as :

- industrial sheds and glazing
- sport halls windowing
- internal transparent partition walls.



SECTION OF

SECTION OF FIXING IN



ALLOWED LOADS

● Installation on two supports

| Resistance table for uniformly distributed pressure and suction loads | | | |
|---|----------------------------------|------------|-------------|
| Load (N/m ²) | Maximum height corresponding to: | | |
| | Breaking | Defl. 1/50 | Defl. 1/100 |
| 500 | 2750 mm | 1900 mm | 1500 mm |
| 1000 | 2250 mm | 1500 mm | 1200 mm |
| 1500 | 2000 mm | 1300 mm | 1100 mm |
| 2000 | 1750 mm | 1200 mm | 950 mm |
| 2500 | 1600 mm | 1100 mm | 850 mm |

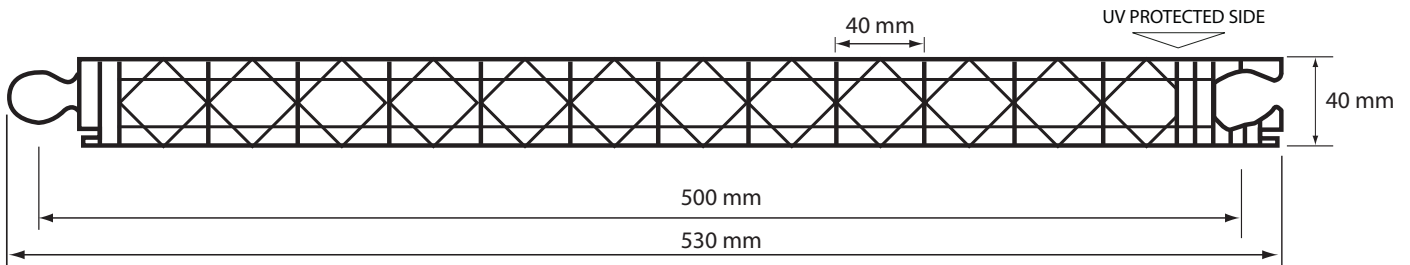
● Installation on several supports (with fixing hooks)

| Resistance table for uniformly distributed loads | | | | | |
|--|--|------------|-------------|---|-------------|
| Load (N/m ²) | Max. distance between the supports: Pressure loads | | | Max. distance between the supports: Suction loads | |
| | Breaking | Defl. 1/50 | Defl. 1/100 | Breaking | Defl. 1/100 |
| 500 | 4000 mm | 2650 mm | 1800 mm | 2300 mm | 1850 mm |
| 1000 | 2900 mm | 1750 mm | 1400 mm | 1200 mm | -- |
| 1500 | 2350 mm | 1400 mm | 1200 mm | 800 mm | -- |
| 2000 | 2000 mm | 1200 mm | 1100 mm | -- | -- |
| 2500 | 1800 mm | 1100 mm | 1000 mm | -- | -- |

The loads tables are referring to the resistance loads of Modulit 500 LP system installed with the standard accessories and according to our technical instruction. In case of particular applications (angles of installations over 10 meters height) higher security coefficients must be used and determined according to the norms in force in the country.

MODULIT 500 LP

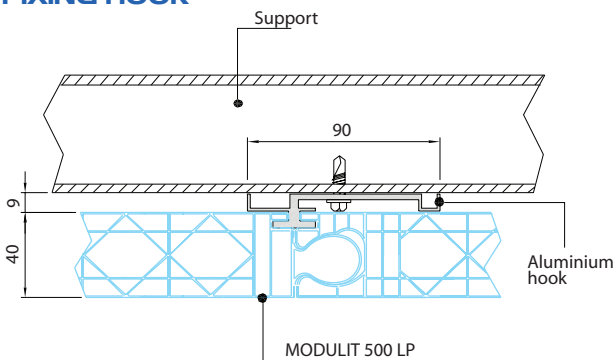
YOUR WAY TO NEW HORIZONS



TECHNICAL DATA

| | | | |
|-------------------------------|---|-----------|----------------|
| Thickness | 40 mm | | |
| Width | 530 mm | | |
| Module width | 500 mm | | |
| Rib distance | 40 mm | | |
| Length | standard 7000 mm or upon request | | |
| Maximum length | 13500 mm (limited to the standard transport length) | | |
| Weight | 4.0 Kg/m ² | | |
| Thermal insulation | 1,46 W/m ² K (1,26 kcal/h m ² °C) | | |
| Colours | | LT | Vaeur G |
| | Clear (8005) | 68% | 61% |
| | Opal (8121) | 47% | 44% |
| UV Protection | coextruded on the external side (UV protected on both sides upon request) | | |
| Warranty | 10 years against yellowing, hail and light transmission | | |
| Temperature of use | -30°C +120°C | | |
| Sound insulation | 23 dB | | |
| Thermal expansion coefficient | 0.065 mm/m °C (6.5×10 ⁻⁵ 1/°K) | | |
| Fire Behaviour | Available on demand | | |

SECTION OF INSTALLATION WITH FIXING HOOK



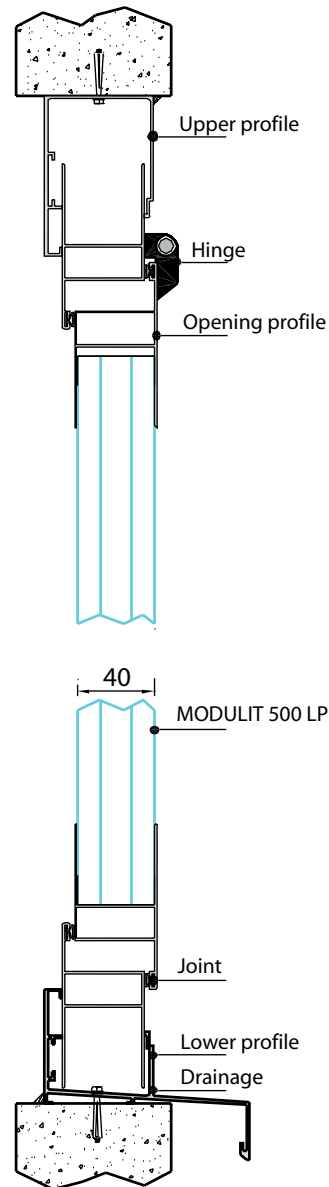
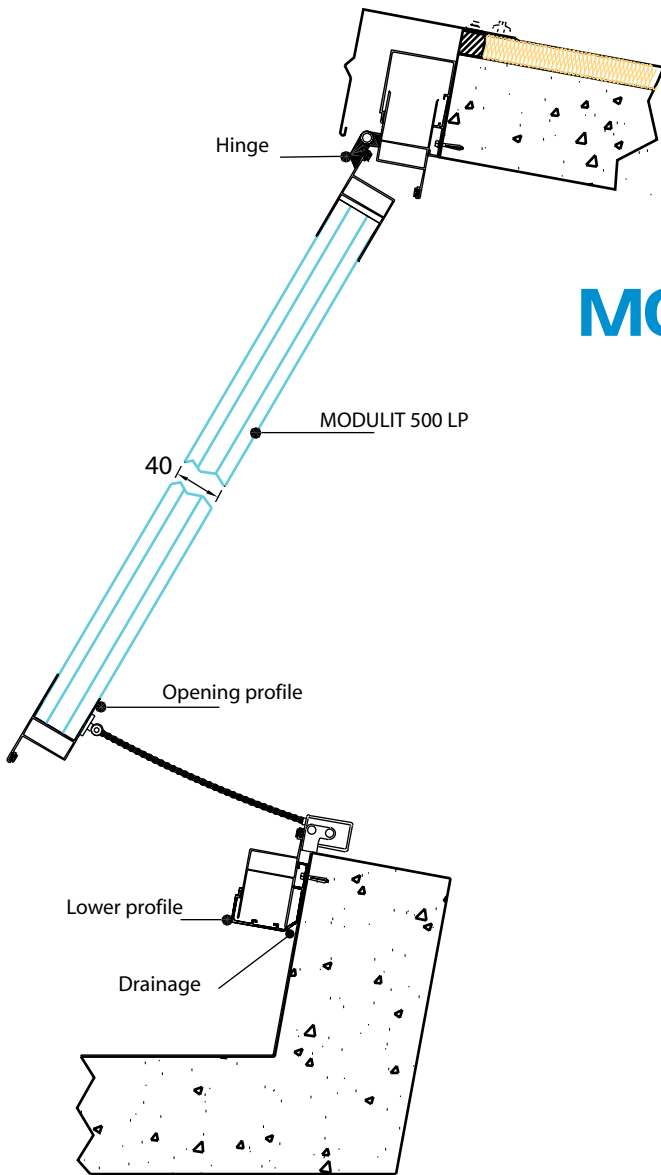
Use of fixing hooks

If necessary, owing to the glazing height or to the high load required, several intermediary supports must be installed and the fixing must be made with the aluminium fixing hooks. These hooks allow a solid fixing and do not prevent from polycarbonate panel thermal expansion.



MODULIT 500 LP

MODULIT 500 LP



Opening elements

It is possible to install opening elements for daily ventilation, which assure a perfect integration with the fix elements; these elements are supplied with a double waterproof joint and with an horizontally pivoted opening (with upper hinges). The opening elements can be supplied pre-assembled.

All the data reported in this literature can be changed by POLITEC SA at any time without obligation of notice. These data are the result of our best knowledge but they are a non-binding information and do not release Client to make own tests in order to check whether the products are suitable with the use they are planned for. The products having a weight lower than the standard reported herein are not covered by any guarantee.

DC22/01Printed01/2004